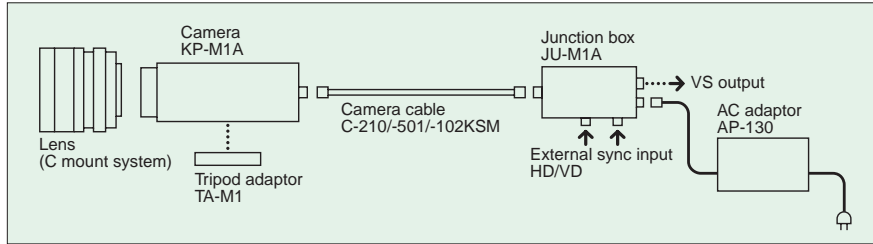


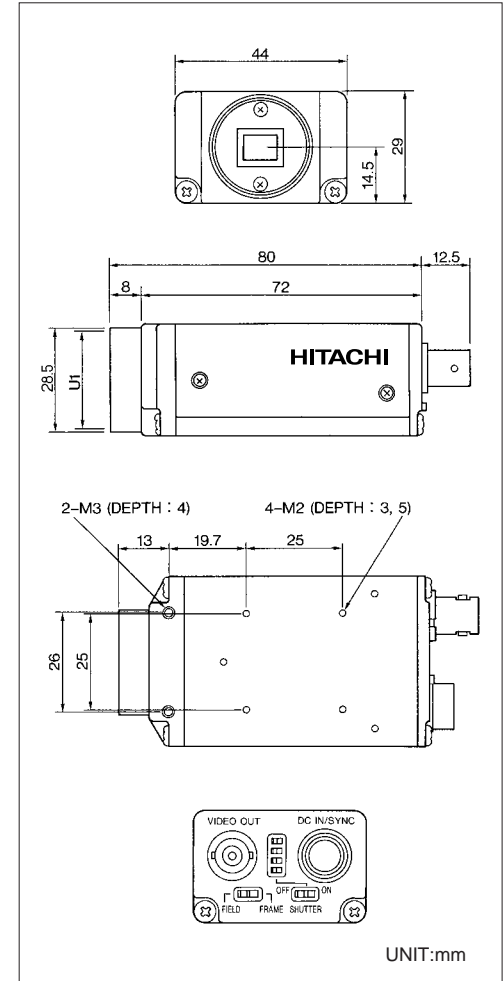
## System Configuration



## Specifications

	KP-M1AN	KP-M1AP
Signal system	EIA system	CCIR system
Pickup device	Interline transfer CCD	Interline transfer CCD
Number of effective pixels:	68 (H) × 474 (V)	752 (H) × 582 (V)
Sensing area	8.94 × 6.67mm (2/3-inch size)	8.72 (H) × 6.52 (V) (2/3-inch size)
Pixel pitch	11.64 (H) × 13.5 (V) μ m	11.6 (H) × 11.2 (V) μ m
Lens mount	C mount	
Flange focal distance	17.526mm	
Scanning frequency	15.734kHz (H), 59.94 (V)	15.625kHz (H), 50Hz (V)
Sync system	Internal sync/external sync (automatic switching)	
Scanning System	2:1 interlaced Non-interlaced (Only in external sync mode)	
External sync input	HD/VD : 2 to 6Vp-p or SYNC : 0.3Vp-p (min. 0.25Vp-p) (VS or VBS also possible) Input impedance: 1k ohms Frequency deviation: ± 1% Polarity : Negative	
Video output	VS: 1.0Vp-p/75 ohms (DC cut output)	
Sensitivity	Standard	400 lux, f4 (3200K)
	Minimum	0.3 lux, f1.4 (AGC:ON, gamma:0.45 without IR cut filter)
Horizontal/vertical resolution	570/485 TV lines	560/575 TV lines
S/N	56dB	
Shutter speed	1/10000, 1/4000, 1/2000, 1/1000, 1/500, 1/250, 1/125, 1/120 (CCIR), 1/100 (EIA), OFF (normal exposure) Above setting are possible by external switch, Set to OFF at factory.	
AGC	Normal gain/AGC : (selectable by internal switch)	
Gamma	Gamma=1.0/0.45 (selectable by internal switch) (set to 1.0 at factory)	
Integration mode	Field or frame integration : Selectable by external switch (set to frame integration mode at factory)	
Field-on-demand	ON/OFF selectable by internal switch (set to OFF at factory)	
Restart and reset operation	ON/OFF selectable by internal points (optional function) (set to OFF at factory) Input: 5Vp-p/1 k ohms	
White clip	Clip level: 1.0Vp-p (excluding SYNC)	
Ambient temperature and humidity	Full specifications	0 to 40°C (32 to 104°F), RH 50 to 70%
	Operating	-10 to 50°C (14 to 122°F), RH 90% or less
	Storage	-20 to 60°C (-4 to 140°F), RH 70% or less
Resistance to vibration	98m/s <sup>2</sup>	
Resistance to shock	686m/s <sup>2</sup>	
Supply voltage	12V DC ± 1V	
Current consumption	220mA approx.	
Dimensions	44 (W) × 29 (H) × 72 (D)mm (1.7 × 1.1 × 2.8 in)	
Weight	120g (4.2 oz) approx.	
Composition	Camera head (with IR cut filter)..... 1 Operation manual ..... 1	

## Dimensions



### Note

The products and their specifications herein described are subject to change without notice. When placing an order of the products, please make sure whether the information of this material is the latest. Hitachi Denshi, Ltd. Warrants that these products meet the standard warranty conditions of Hitachi Denshi, Ltd. Hitachi Denshi, Ltd. carries out inspection and other quality control of the products within the range required to provide this warranty. It is recommended that to maintain your video