



**For Security  
Videoconferencing**

Applicable camera (model)

# T16×5.5DA-R11

|   |     |     |     |     |
|---|-----|-----|-----|-----|
| 1 | 2/3 | 1/2 | 1/3 | 1/4 |
|   |     |     |     |     |

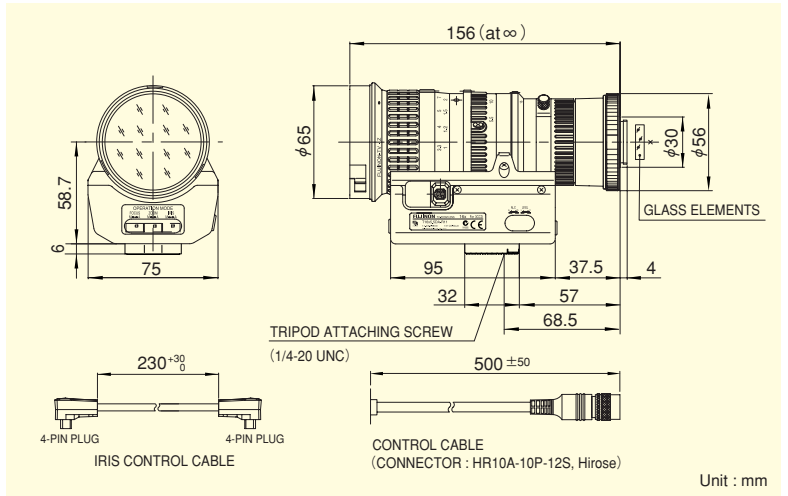
**16x**



\*Photograph is a similar model.

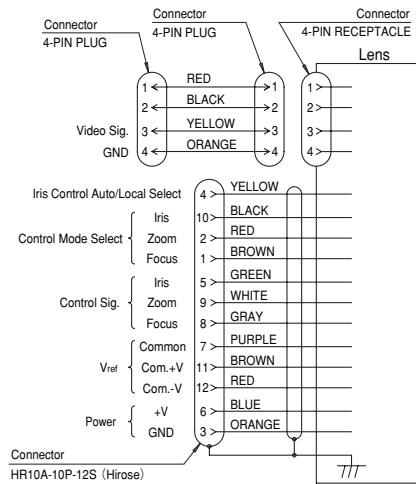
|                     |                           |  |                                   |                                   |                                 |                         |
|---------------------|---------------------------|--|-----------------------------------|-----------------------------------|---------------------------------|-------------------------|
| <b>ZOOM</b><br>Zoom | <b>WIDE</b><br>Wide Angle | <b>TELE</b><br>Telephoto<br>Long Focal | <b>MOTOR DRIVE</b><br>Motor Drive | <b>3CCD</b><br>For 3CCD<br>Camera | <b>VIDEO</b><br>Video Auto Iris | <b>C-mt</b><br>C Mount  |
|                     |                           |  |                                   | <b>METAL</b><br>Metal Mount       | <b>SERVO</b><br>Full Servo      | <b>PC</b><br>PC Control |

- With the high accuracy servo control enabled, best suited for advanced monitoring systems
- High-powered zoom lens covering wide angle and telephoto
- PC control enabled with the dedicated controller combined
- Special design for optimizing the image quality of 3CCD cameras



|   |       |  |                 |
|---|-------|--|-----------------|
| Focal Length (mm)                           |       | 5.5~88 (16x)   |                 |
| Iris Range                                  |       | F1.4 ~ F16   |                 |
| Operation                                   | Zoom  | Servo Control  |                 |
|   | Focus | Servo Control  |                 |
|   | Iris  | Auto (Video Type) or Servo Control   |                 |
| Angle Of View (H×V)                         | 1/3"  | WIDE   | 47°09' × 36°15' |
|   |       | TELE   | 3°07' × 2°21'   |
| Focusing Range (From Front Of The Lens)     |       | ∞ ~ 1  |                 |
| Object Dimensions at M.O.D. (H×V) (mm)      | 1/3"  | WIDE   | 819 × 614       |
|   |       | TELE   | 51 × 38         |
| Back Focal Distance (in air) (mm)           |       | 14.83  |                 |
| Exit Pupil Position (From Image Plane) (mm) |       | 251  |                 |
| Filter Thread (mm)                          |       | M62 × 0.75   |                 |
| Mount                                       |       | C  |                 |
| Mass (g)                                    |       | 900  |                 |
| Standard Accessories                        |       | Iris Control Cable   |                 |
| Remarks                                     |       | <ul style="list-style-type: none"> <li>• With Metal Mount</li> <li>• Zoom/Focus/Iris can be operated manually</li> </ul> |                 |

## Wiring



## Accessories

### Control Unit

|              |                                    |        |        |
|--------------|------------------------------------|--------|--------|
| Model        | RMD-10                             | RMD-20 | RMD-30 |
| Operation    | Zoom, Focus, Iris (Auto or Remote) |        |        |
| Power Source | AC 90V~250V<br>50/60Hz             |        |        |

\* On how to connect the control box, refer to SYSTEM CHART (D-6).

### Extension Cable

|          |      |
|----------|------|
| ECM-005M | 5m   |
| ECM-010M | 10m  |
| ECM-020M | 20m  |
| ECM-050M | 50m  |
| ECM-100M | 100m |

### Cable Relay Unit

CCB-1

### DC Power Source

CPS-401A-01A